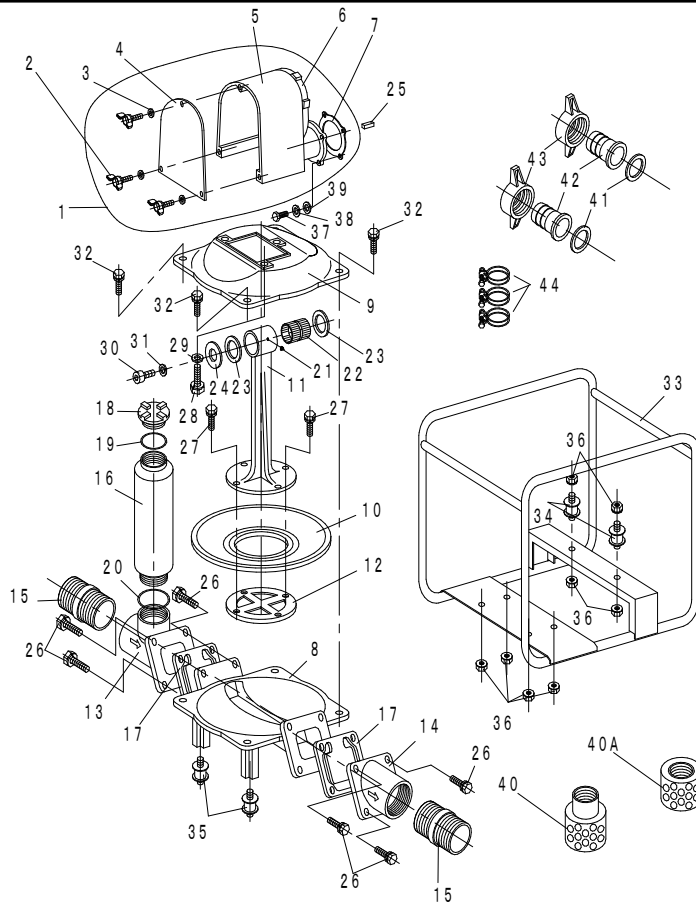


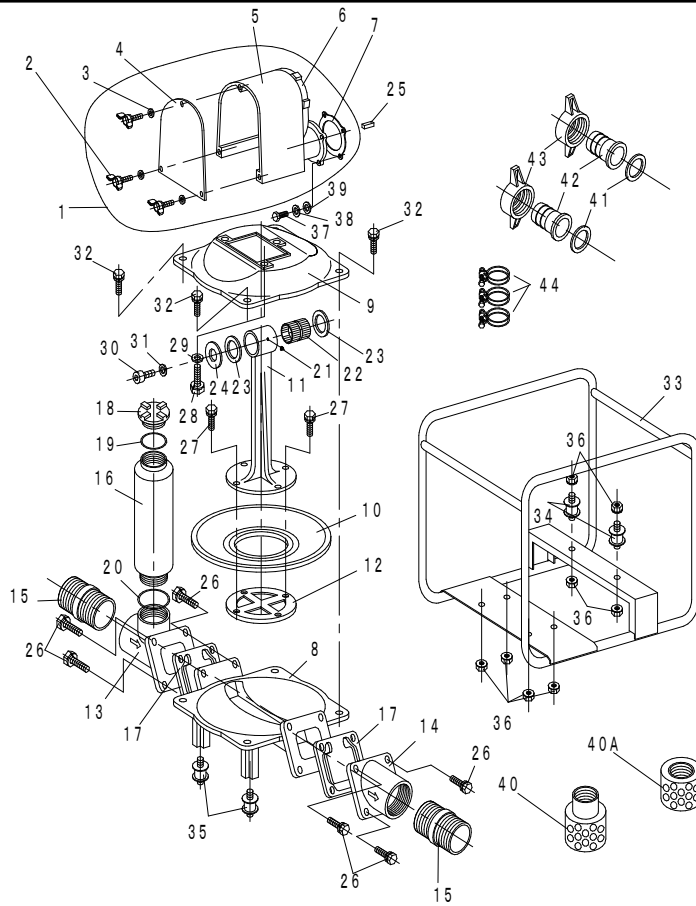
**SMD-80HX**



2R-07117

| REF No. | Parts No.   | Parts name     | Q'ty | Price | Remarks     |
|---------|-------------|----------------|------|-------|-------------|
|         | ENGINE      | HONDA GX160    | 1    | -     |             |
| 1       | 202 200 070 | GEAR ASSY      | 1    |       | 2~7+GEAR    |
| 2       | 203 000 640 | WING BOLT      | 3    |       | M5×10       |
| 3       | 203 100 100 | SPRING WASHER  | 3    |       | M5          |
| 4       | 200 300 540 | COVER          | 1    |       |             |
| 5       | 200 200 921 | GEAR CASE      | 1    |       |             |
| 6       | 200 200 911 | COVER,INPUT    | 1    |       |             |
| 7       | 200 900 590 | SHEET PACKING  | 1    |       | THREE SHEET |
| 8       | 200 200 370 | CASING         | 1    |       | SMD-80      |
| 9       | 200 200 380 | CASING COVER   | 1    |       | SMD-80      |
| 10      | 200 900 470 | DIAPHRAGM      | 1    |       | SMD-80      |
| 11      | 200 200 480 | ROD            | 1    |       | SMD-80      |
| 12      | 200 200 490 | CAP-DIAPHRAGM  | 1    |       | SMD-80      |
| 13      | 200 200 470 | SUCTION FLANGE | 1    |       | IN-NPSM3    |
| 14      | 200 200 460 | BEND           | 1    |       | IN-NPSM3    |
| 15      | 200 300 420 | FITING-PIPE    | 2    |       | 3B NPT-PF   |
|         | 200 300 421 | FITING-PIPE    | (2)  |       | 3B NPT- PT  |
| 16      | 200 200 970 | CHAMBER        | 1    |       | SMD-80      |
| 17      | 200 900 160 | CHECK VALVE    | 2    |       |             |
| 18      | 200 200 700 | PLUG           | 1    |       | AL          |
| 19      | 200 800 220 | O-RING         | 1    |       | W1516-31    |
| 20      | 200 800 210 | O-RING         | 1    |       | P-80        |
| 21      | 203 300 080 | GREASE NIPPLE  | 1    |       | C-2 PT1/8   |
| 22      | 203 300 140 | NEEDLE BEARING | 1    |       | 29#30R      |
| 23      | 200 500 120 | COLLAR         | 2    |       |             |

**SMD-80HX**



2R-07117

| REF No. | Parts No.   | Parts name            | Q'ty | Price | Remarks      |
|---------|-------------|-----------------------|------|-------|--------------|
| 24      | 203 100 170 | PLAIN WASHER          | 1    |       | 9-48-4.5     |
| 25      | 203 300 090 | KEY                   | 1    |       | 4.76×30      |
| 26      | 203 000 040 | HEX.BOLT              | 8    |       | M8×25 P=2    |
| 27      | 203 000 060 | HEX.BOLT              | 4    |       | M8×30 P=3    |
| 28      | 203 000 080 | HEX.BOLT              | 3    |       | M10×30 P=2   |
| 29      | 203 100 140 | PLAIN WASHER          | 3    |       | M10          |
| 30      | 203 000 390 | HEX.SOCKET BOLT       | 1    |       | M8×15 SUS    |
| 31      | 203 100 120 | SPRING WASHER         | 1    |       | M8           |
| 32      | 203 000 130 | HEX.BOLT              | 1    |       | M10×40 P=2   |
| 33      | 200 100 060 | FRAME(BLACK)          | 1    |       | GX,EX ENGINE |
| 34      | 200 900 390 | ANTI-VIBRATION RUBBER | 2    |       |              |
| 35      | 200 900 400 | ANTI-VIBRATION RUBBER | 4    |       |              |
| 36      | 203 200 030 | SPRING NUT            | 8    |       | M8           |
| 37      | 203 000 320 | HEX.BOLT              | 4    |       | UNF5/16×25   |
| 38      | 203 100 120 | SPRING WASHER         | 4    |       | M8           |
| 39      | 203 100 150 | PLAIN WASHER          | 4    |       | M8           |
| 40      | 201 200 190 | STRAINER              | 1    |       | 3"ER         |
| 40A     | 201 200 200 | STRAINER              | (1)  |       | 3"DR         |
| 41      | 200 900 060 | PACKING, COUPLING     | 2    |       | NBR          |
| 42      | 200 200 680 | HOSE COUPLING         | (2)  |       | AL           |
| 43      | 200 200 250 | HOSE COUPLING HANDLE  | 2    |       | PF3          |
|         | 200 200 710 | HOSE COUPLING HANDLE  | (2)  |       | NPSH3        |
| 44      | 201 000 060 | HOSE BAND             | 3    |       | 3"           |