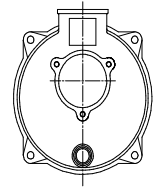
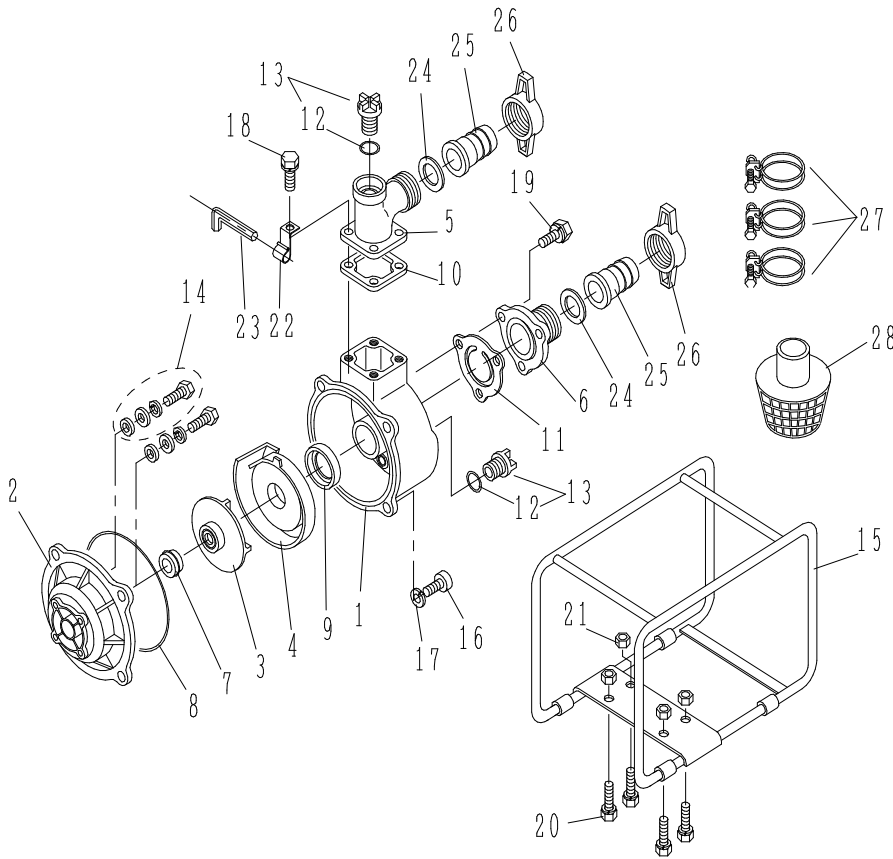
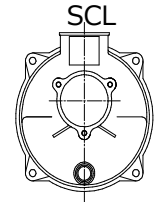


SST-80HX

SST-80R/RX



OEL



SCL

2R-07119

REF No.	Parts No.	Parts name	Q'ty	Price	Remarks
	ENGINE	ROBIN EY20	1	-	
		HONDA GX160	(1)	-	
		ROBIN EX17	(1)	-	
1	200 200 200	CASING	1		SCL-80
	200 200 180	CASING	(1)		OEL-80
2	200 200 770	CASING COVER	1		
3	200 210 480	IMPELLER	1		
4	200 210 060	INNER CASING	1		
5	200 200 260	BEND	1		PF3
	200 200 620	BEND	(1)		NPT3
6	200 200 270	VALVE CASE	1		PF3
	200 200 600	VALVE CASE	(1)		NPT3
7	201 100 051	MECHANICAL SEAL	1		2",3"Sic
8	200 800 180	O-RING	1		W1517-45
9	200 900 180	PACKING, INNER CASING	1		
10	200 900 190	PACKING, BEND	1		
11	200 900 110	CHECK VALVE	1		
12	200 800 020	O-RING	(2)		P-24
13	200 500 040	PLUG ASSY	2		
14	203 000 100	CASING BOLT ASSY	4		M8x50
15	200 100 050	FRAME (BLACK)	1		
	200 100 051	FRAME (WHITE)	(1)		
	200 100 052	FRAME (YELLOW)	(1)		
16	203 000 420	HEX.SOCKET BOLT	4		M10x30
17	203 100 230	SPRING WASHER	4		M10

