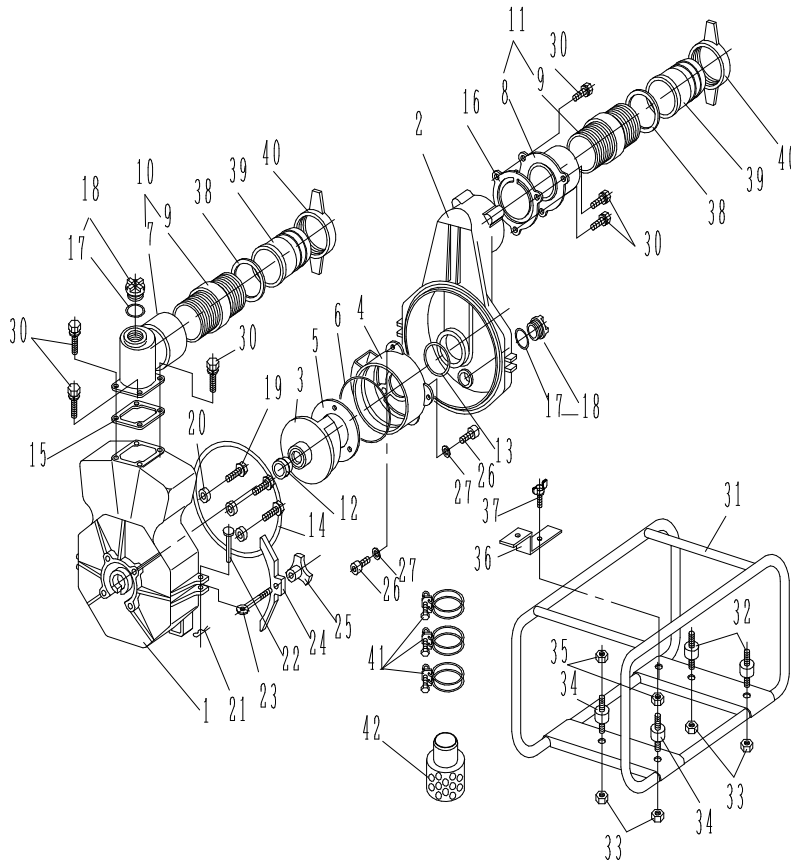


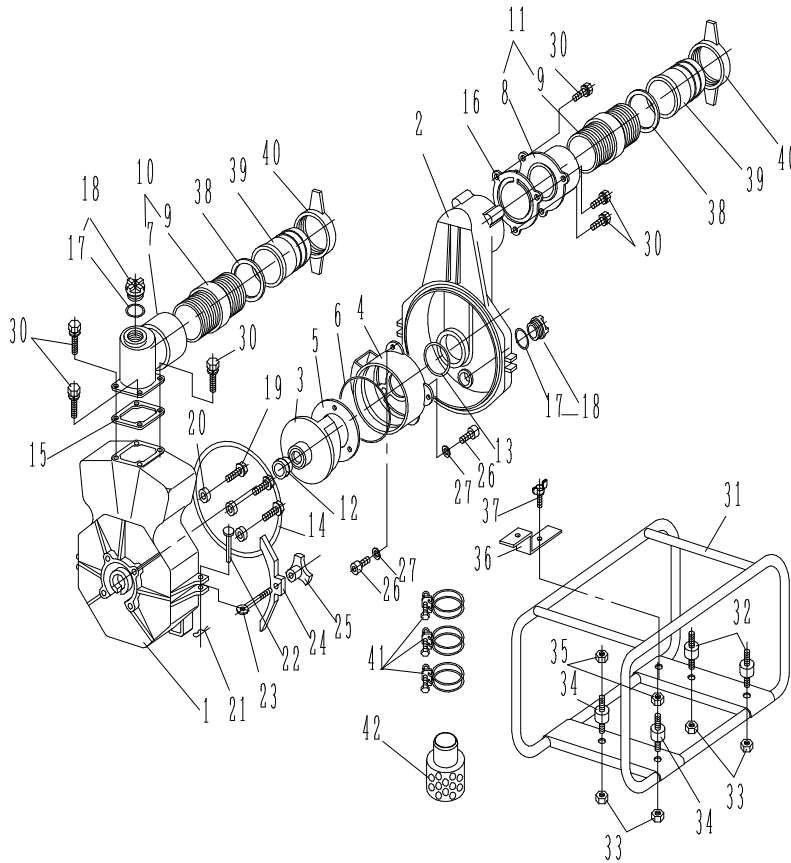
**SWT-50HX**



2R-07126

REF No.	Parts No.	Parts name	Q'ty	Price	Remarks
	ENGINE	HONDA GX160	1	-	
1	200 200 320	CASING	1		SWT-50
2	200 200 330	CASING COVER	1		SWT-50
3	200 210 240	IMPELLER	1		
4	200 210 070	INNER CASING	1		
5	200 300 210	LINER	1		SWT-50
6	200 800 140	O-RING	1		S-140
7	200 200 610	BEND (NPSM)	1		IN-LOW-NPSM2
8	200 200 540	VALVE CASE (NPSM)	1		IN-NPSM2
9	200 300 410	FITTING PIPE	2		2B NPT-PF
	200 300 411	FITTING PIPE	(2)		2B NPT-NPT
10	202 200 120	BEND ASSY	(1)		PF2
	202 200 121	BEND ASSY	(1)		NPT2
11	202 200 090	VALVE CASE ASSY	(1)		PF2
	202 200 091	VALVE CASE ASSY	(1)		NPT2
12	201 100 051	MECHANICAL SEAL	1		2.3SIC
13	200 800 100	O-RING	1		G-55
14	200 800 050	O-RING	1		G-210
15	200 900 170	PACKING,BEND	1		
16	200 900 280	CHECK VALVE	1		
17	200 800 020	O-RING	2		P-24
18	200 500 040	PLUG ASSY	2		
19	203 000 460	FLANGE BOLT	4		M8x46
20	203 100 180	AL WASHER	4		8.2-17-3.0
21	203 300 030	SNAP PIN	2		φ10

**SWT-50HX**



2R-07126

REF No.	Parts No.	Parts name	Q'ty	Price	Remarks
22	203 300 010	RIVET	2		φ10
23	203 000 490	COVER BOLT	2		M12
24	200 210 430	CASING COVER HOLDER	2		
25	200 210 450	KNOB	2		M12
26	203 000 350	HEX.SOCKET HEAD BOLT	5		M6x16SUS
27	203 100 110	SPRING WASHER	5		M6SUS
28	-	-	-		
29	-	-	-		
30	203 000 040	HEX.BOLT	7		M8x25 P=2
31	200 101 131	FRAME(BRACK)	1		
	201 101 132	FRAME(WHITE)	(1)		
32	200 900 380	ANTI VIBRATION RUBBER(P)	2		
33	200 900 410	ANTI VIBRATION RUBBER(E/G)	2		
34	203 200 030	SPRING NUT	6		M8
35	203 200 010	FRANGE NUT	2		M8
36	200 300 240	MULTI-PURPOSE TOOL	1		
37	203 000 510	WING BOLT	1		M6x15
38	200 900 050	PACKING,COUPLING	2		
39	200 500 090	HOSE COUPLING	2		ABS
	200 200 690	HOSE COUPLING	(2)		AL
40	200 200 670	COUPLING HANDLE	2		PF2
	200 200 720	COUPLING HANDLE	(2)		NPSH2
41	201 000 040	HOSE BAND	3		2"
42A	201 200 120	STRAINER	1		2"ER
42B	201 200 130	STRAINER	(1)		2"DR