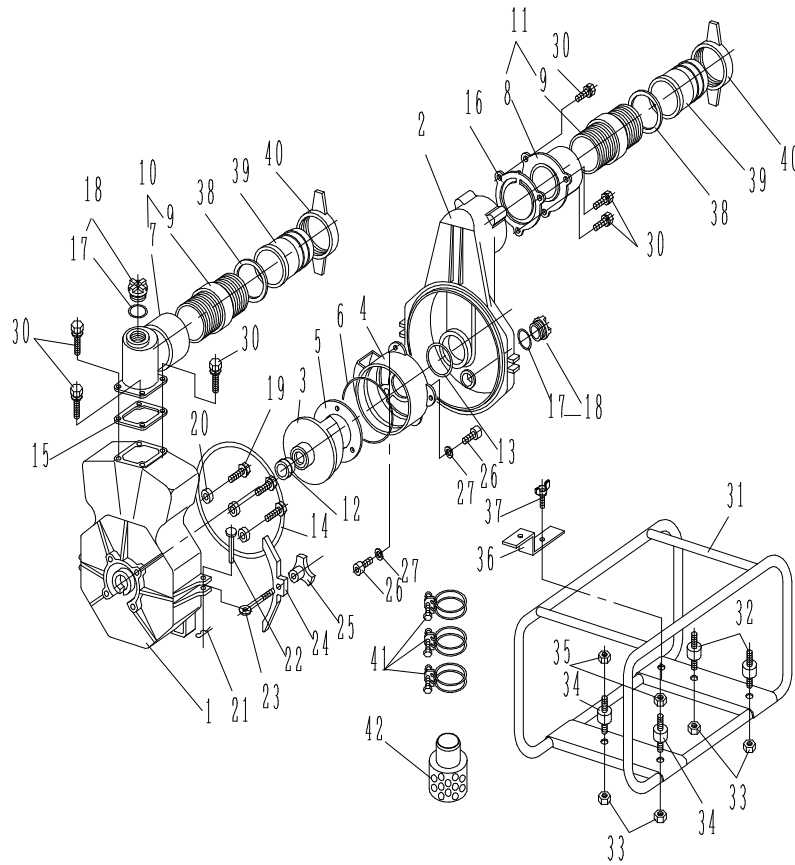


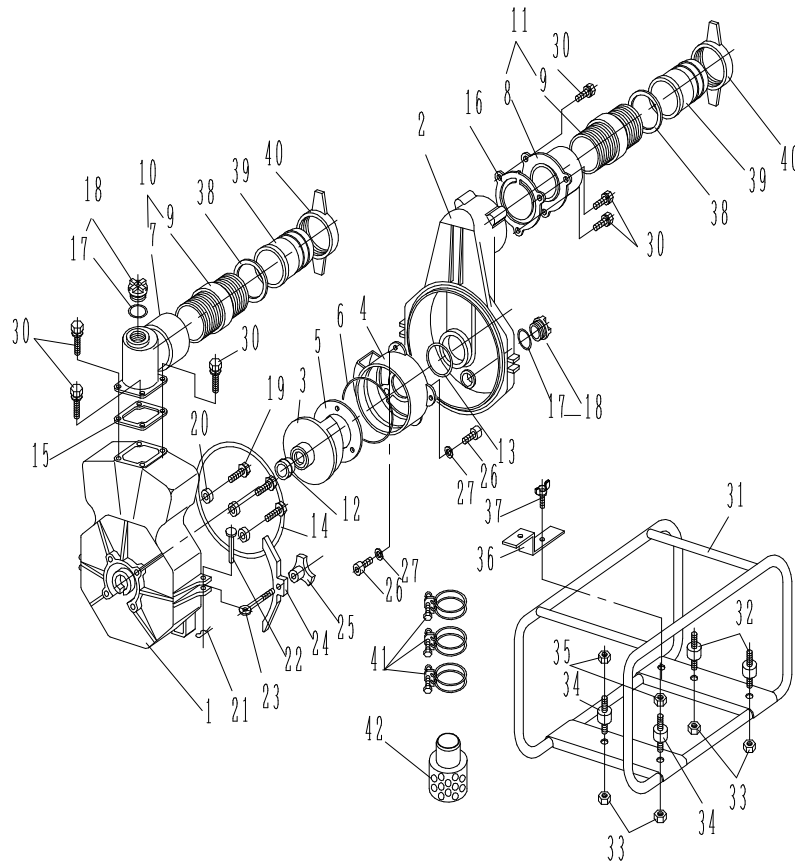
SWT-80HX



2R-07127

REF No.	Parts No.	Parts name	Q'ty	Price	Remarks
	ENGINE	HONDA GX240	1	-	
1	200 200 300	CASING	1		SWT80
2	200 200 310	CASING COVER	1		SWT80
3	200 210 170	IMPELLER	1		
4	200 210 040	INNER CASING	1		
5	200 300 220	LINER	1		
6	200 200 440	BEND (NPSM)	1		IN-LOW-NPSM3
7	200 200 601	VALVE CASE (NPSM)	1		IN-NPSM3
8	200 300 420	FITTING PIPE	2		3B NPT-PF
	200 300 421	FITTING PIPE	(2)		3B NPT-NPT
9	202 200 130	BEND ASSY	(1)		PF3
	202 200 131	BEND ASSY	(1)		NPT3
10	202 200 100	VALVE CASE ASSY	(1)		PF3
	202 200 101	VALVE CASE ASSY	(1)		NPT3
11	201 100 061	MECHANICAL SEAL	1		SIC
12	200 800 110	O-RING	1		G-80
13	200 800 060	O-RING	1		G-240
14	200 900 190	PACKING,BEND	1		
15	200 900 290	CHECK VALVE	1		
16	200 800 220	O-RING	2		W1516-31
17	200 200 700	PLUG	2		AL
18	203 000 460	FLANGE BOLT	4		M8x46
19	203 100 180	AL WASHER	4		8.2-17-3.0
20	203 300 040	SNAP PIN	2		φ12
21	203 300 020	RIVET	2		φ12

SWT-80HX



2R-07127

REF No.	Parts No.	Parts name	Q'ty	Price	Remarks
22	203 000 500	COVER BOLT	2		M16
23	200 210 420	CASING COVER HOLDER	2		
24	200 210 440	KNOB	2		M16
25	203 000 360	HEX.SOCKET HEAD BOLT	3		M6x20SUS
26	203 100 110	SPRING WASHER	3		M6SUS
27	203 000 370	HEX.SOCKET HEAD BOLT	3		M8x30SUS
28	203 100 130	SPRING WASHER	3		M8SUS
29	203 000 081	HEX.BOLT	7		M10x30(17)
30	200 100 070	FRAME(BLACK)	1		
	200 100 071	FRAME(WHITE)	(1)		
31	200 100 370	BASE,ENGINE(BLACK)	1		
	200 100 371	BASE,ENGINE(WHITE)	(1)		
32	200 900 360	ANTI VIBRATION RUBBER	4		
33	203 200 030	SPRING NUT	6		M8
34	203 200 020	FRANGE NUT	2		M10
35	203 000 140	HEX.BOLT	2		M10x45 P=2
36	200 300 240	MULTI-PURPOSE TOOL	1		
37	203 000 510	WING BOLT	1		M6x15
38	200 900 060	PACKING,COUPLING	2		NBR
39	200 200 680	HOSE COUPLING	2		AL
40	200 200 250	HOSE COUPLING HANDLE	2		PF3
	200 200 710	HOSE COUPLING HANDLE	(2)		NPSH3
41	201 000 060	HOSE BAND	3		3"
42	201 200 190	STRAINER	1		3"ER