

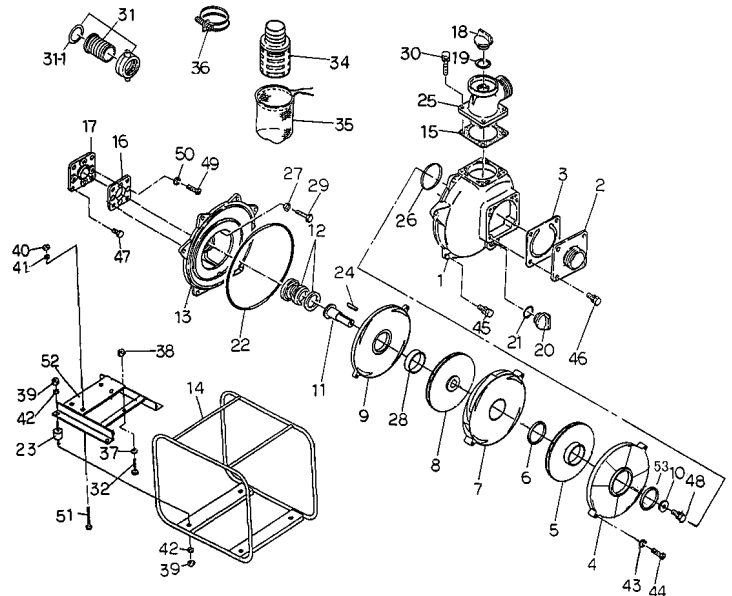
# PARTS PRICE LIST : QP-T205SLT

| NO. | PARTS NO.        | PARTS NAME                | Q'TY | MATERIAL           |
|-----|------------------|---------------------------|------|--------------------|
|     | <b>GX270</b>     | ENGINE                    |      |                    |
| 1   | 4364-100010      | CASING                    | 1    | ADC                |
| 2   | 1803-100160      | SUCTION COVER             | 1    | ADC                |
| 3   | 1378-350350      | CHECK VALVE               | 1    | NBR+SS400          |
| 4   | 7207-060130      | VOLUTE CASING             | 1    | AC                 |
| 5   | 7207-060040      | IMPELLER 1                | 1    | AC                 |
| 6   | 1878-081290      | LINER RING 2              | 1    | BC                 |
| 7   | 7207-060110      | VOLUTE CASING 2           | 1    | AC                 |
| 8   | 7207-060030      | IMPELLER 2                | 1    | AC                 |
| 9   | 7207-060120      | VOLUTE CASING 3           | 1    | AC                 |
| 10  | 7207-251240      | IMPELLER WASHER           | 1    | SUS                |
| 11  | 1878-221010      | PUMP SHAFT                | 1    | S45C               |
| 12  | 080611-3325      | MECHANICAL SEAL           | 1    | CERAMIC×<br>CARBON |
| 13  | 4359-100020      | CASING COVER              | 1    | ADC                |
| 14  | 1867-214010-0014 | FRAME                     | 1    | SS400              |
| 15  | 1803-330360      | DELIVERY COVER PACKING    | 1    | NBR                |
| 16  | 1369-000600-0011 | CASING COVER SET PLATE -A | 1    | FC                 |
| 17  | 1369-000630-0011 | CASING COVER SET PLATE -B | 1    | FC                 |
| 18  | 063121-1100ASSY  | FLOODING CAP WITH O-RING  | 1    | ABS                |
| 19  | 048035-0300      | O-RING (FLOODING CAP)     | 1    | NBR                |
| 20  | 063121-1100ASSY  | DRAIN CAP WITH O-RING     | 1    | ABS                |

| NO.  | PARTS NO.        | PARTS NAME                  | Q'TY | MATERIAL  |
|------|------------------|-----------------------------|------|-----------|
| 21   | 048035-0300      | O-RING (DRAIN CAP)          | 1    | NBR       |
| 22   | 048935-2550      | O-RING (CASING)             | 1    | NBR       |
| 23   | 072330-2040      | CUSHION RUBBER              | 4    | NBR+SS400 |
| 24   | 051004-0443      | KEY                         | 1    | S45C      |
| 25   | 1803-000090-0011 | DELIVERY ELBOW              | 1    | FC        |
| 26   | 048220-0750      | O-RING                      | 1    | NBR       |
| 27   | 045822-0080      | SEAL WASHER                 | 4    | SUS+NBR   |
| 28   | 1803-521220      | LINER RING                  | 1    | DURACON   |
| 29   | 010505-0820      | BOLT                        | 4    | SS400     |
| 30   | 018105-0825      | BOLT SET WITH SPRING WASHER | 4    | SS400     |
| 31   | 074111-7050R     | HOSE COUPLING SET           | 2    | ADC       |
| 31-1 | 074131-0501      | HOSE COUPLING PACKING       | 2    | NBR       |
| 32   | 010505-0850      | BOLT                        | 1    | SS400     |
| 34   | 074230-1050R     | STRAINER                    | 1    | PE        |
| 35   | 092031-2013      | NYLON NET                   | 1    | NYLON     |
| 36   | 093225-2000      | WIRE HOSE BAND              | 3    | SWRM      |
| 37   | 045125-0080      | SPRING WASHER               | 1    | SWRH      |
| 38   | 020545-0080      | NUT                         | 1    | SS400     |
| 39   | 020545-0100      | NUT                         | 8    | SS400     |
| 40   | 020545-0100      | NUT                         | 4    | SS400     |
| 41   | 045125-0100      | SPRING WASHER               | 4    | SWRH      |

MATSUSAKA ENGINEERING CO., LTD.

| NO. | PARTS NO.        | PARTS NAME                  | Q'TY | MATERIAL |
|-----|------------------|-----------------------------|------|----------|
| 42  | 045125-0100      | SPRING WASHER               | 8    | SWRH     |
| 43  | 045129-0060      | SPRING WASHER               | 2    | SWRH     |
| 44  | 010509-0640      | BOLT                        | 2    | SUS      |
| 45  | 018105-0825      | BOLT SET WITH SPRING WASHER | 6    | SS400    |
| 46  | 018105-0825      | BOLT SET WITH SPRING WASHER | 4    | SS400    |
| 47  | 018109-0820      | BOLT SET WITH SPRING WASHER | 4    | SS400    |
| 48  | 018109-0820      | BOLT SET WITH SPRING WASHER | 1    | SUS      |
| 49  | 014105-0815      | SCREW                       | 4    | SS400    |
| 50  | 045125-0080      | SPRING WASHER               | 4    | SWRH     |
| 51  | 010505-1045      | BOLT                        | 4    | SS400    |
| 52  | 1867-214021-0014 | ENGINE BASE                 | 1    | SS400    |
| 53  | 7207-081300      | LINER RING 3                | 1    | BC       |



MATSUSAKA ENGINEERING CO., LTD.