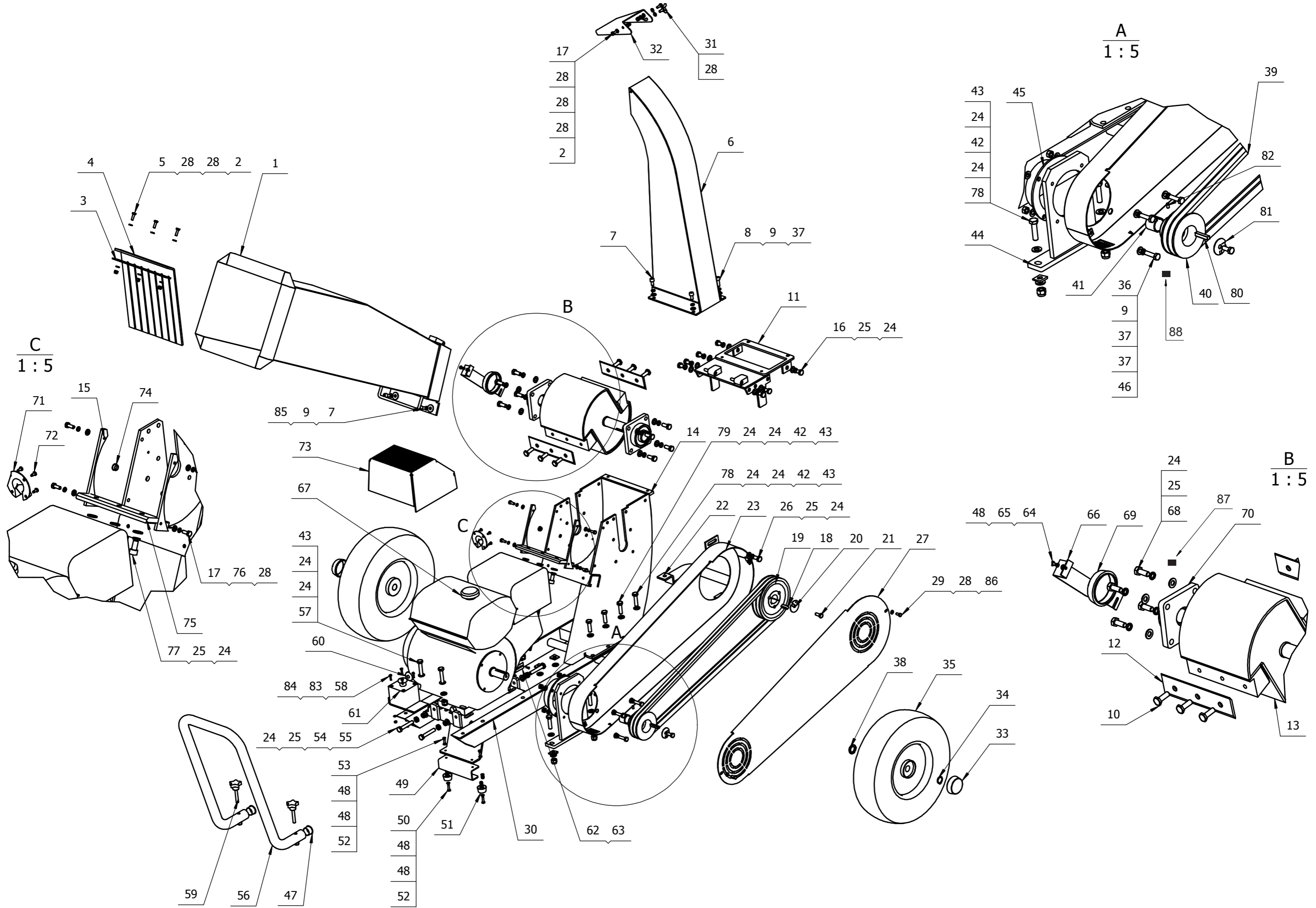


hakselaar - broyeur woodchipper - häcksler GTS900

From serial number: GTS900LV2R15007RR



www.gtmprofessional.com



PARTNR.	ARTICLE NUMBER	PART NAME	QTY
1	MZSGTSM039001000	hopper	1
2	MZSGTSS03M06000LON	lock nut M6	5
3	MZSGTSM059003000	strip	1
4	MZSGTSM059004000	rubber flap	1
5	MZSGTSS01M06020NFN	hex bolt M6×20	3
6	MZSGTSM039005000	output chute	1
7	MZSGTSS01M08016JFN	hexagon socket cap head screw M8×16	2
8	MZSGTSS01M08020JFN	hexagon socket cap head screw M8×20	2
9	MZSGTSS040M0815LIR	spring washer 8	6
10	MZSGTSS01M10030XFN	special bolt for blade	6
11	MZSGTSM039006000	top of shredder box	1
12	MZSGTSM030145000	blade	2
13	MZSGTSM030073000	rotor	1
14	MZSGTSM039023000	shredder box	1
15	MZSGTSM039012000	rotor protector	2
16	MZSGTSS01M10016NFN	hex bolt M10×16	7
17	MZSGTSS01M06016NFN	hex bolt M6×16	6
18	MZSGTSS14100828R	rotor shaft key	1
19	MZSGTSM073146000	taperlock pulley	1
20	MZSGTSM033025000	safety ring for rotor	1
21	MZSGTSS01M08020NFN	hex bolt M8×20	2
22	MZSGTSM029003000	bumper	1
23	MZSGTSM039003000	belt cover	1
24	MZSGTSS040M1020PIR	plain washer 10	43
25	MZSGTSS040M1016LIR	spring washer 10	19
26	MZSGTSS01M10020NFN	hex bolt M10×20	1
27	MZSGTSM039004000	belt cover lid	1
28	MZSGTSS040M0612PIR	plain washer 6	17
29	MZSGTSS01M06012NFN	hex bolt M6×12	2
30	MZSGTSM029006000	frame	1
31	MZSGTSS01M06016WPN	wing screw	1
32	MZSGTSM039007000	deflector	1
33	MZSGTSM053002000	cap of wheel	2
34	MZSGTSS090200000	circlip 20	2
35	MZSGTSC05W380A95	16" air tire white wheel	2
36	MZSGTSS01M08030NFN	hex bolt M8×30	4
37	MZSGTSS040M0816PIR	plain washer 8	13
38	MZSGTSM013014000	wheel washer 20	2
39	MZSGTSS07A661709LP	V-belt A 66	2
40	MZSGTSM07309600L	double V-pulley 96 mm	1
41	MZSGTSM013002000	bush for engine shaft 25 mm	1
42	MZSGTSS040M1000TIR	square taper washer	10
43	MZSGTSS03M10000LON	lock nut M10	14
44	MZSGTSM039009000	support block belt cover	1
45	MZSGTSM050014000	protection cover of engine	1
46	MZSGTSS03M08000N0N	hex nut M8	3
47	MZSGTSS180000003	plastic cap for handle	2

PARTNR.	ARTICLE NUMBER	PART NAME	QTY
48	MZSGTSS040M0510PIR	plain washer 5	10
49	MZSGTSM039022000	pad for big wheels	1
50	MZSGTSS01M05020SFN	cross-recessed pan head screw M5×20	2
51	MZSGTSM050048000	vibration damper	2
52	MZSGTSS03M05000LON	lock nut M5	4
53	MZSGTSS01M05016NFN	hex nut M5×16 for pad	2
54	MZSGTSS03M10000N0N	hex nut M10	4
55	MZSGTSS01M10060NFN	hex bolt M10 ×60	4
56	MZSGTSM029007000	handle	1
57	MZSGTSS01M10050NFN	hex bolt M10×50	4
58	MZSGTSS01M04015RFN	cup head screw M4×15	4
59	MZSGTSS01M08049SFN	star head bolt M8×50	2
60	MZSGTSM053005000	grommet	1
61	MZSGTSE02SPCOE01	emergency stop	1
62		serial number plate	1
63	MZSGTSS13AL32090	rivet φ3.2×12	2
64	MZSGTSS01M05008SFN	cross-recessed pan head screw M5×8	2
65	MZSGTSS040M0510SIR	lock washer 5	2
66	MZSGTSM033040000	bearing cap bracket	1
67	MZSGTSC01GGTE270	engine GTE270	1
67	MZSGTSC01MHI1000	engine GT1000 / GB30	1
68	MZSGTSS01M10025NFN	hex bolt M10×25	8
69	MZSGTSM053001000	bearing protector	2
70	MZSGTSS12SSFY506NN	bearing + housing FY506M	2
71	MZSGTSM03301500M	muffler cover - Mitsubishi engine	1
or	MZSGTSM03301500H	muffler cover - GTE / Honda	1
72	MZSGTSS01M04005SFT	cross-recessed tapping screw ST4.2×10	4
73	MZSGTSM029004000	heat protector - Mitsubishi engine	1
or	MZSGTSB050002000	heat protector - GTE / Honda	1
74	MZSGTSS99M120800	thread plug	1
75	MZSGTSM039019000	counter blade (45 mm wide)	1
76	MZSGTSS040M0615SIR	spring washer 6	4
77	MZSGTSS01M10020JFN	hexagon socket cap head screw M10×20	3
78	MZSGTSS01M10040NFN	hex bolt M10×40	4
79	MZSGTSS01M10035NFN	hex bolt M10×35	6
80	MZSGTSM013006000	shaft key for GTE	1
or	MZSGTSM013005000	shaft key for Mitsubishi engine	1
or	MZSGTSM013003000	shaft key for Honda engine	1
81	MZSGTSM033026000	safety ring for engine	1
82	MZSGTSS01M05010JFS	hexagon socket set screws with cone point M5x10	1
83	MZSGTSS040M0409PIR	plain washer 4	4
84	MZSGTSS03M04000N0N	hex nut M4	4
85	MZSGTSS040M0824PIP	washer 8 (large)	2
86	MZSGTSS03M06000C0N	case nut belt cover housing	2
Accessory	MZSGTSS01M12030NFF	fine thread bolt M12×1.5-25	1
87	MZSGTSS07000027-3	imbus bearing housing	4
88	MZSGTSS01M05010JFS	imbus pulley	2

GTM
PROFESSIONAL®

www.gtmprofessional.com